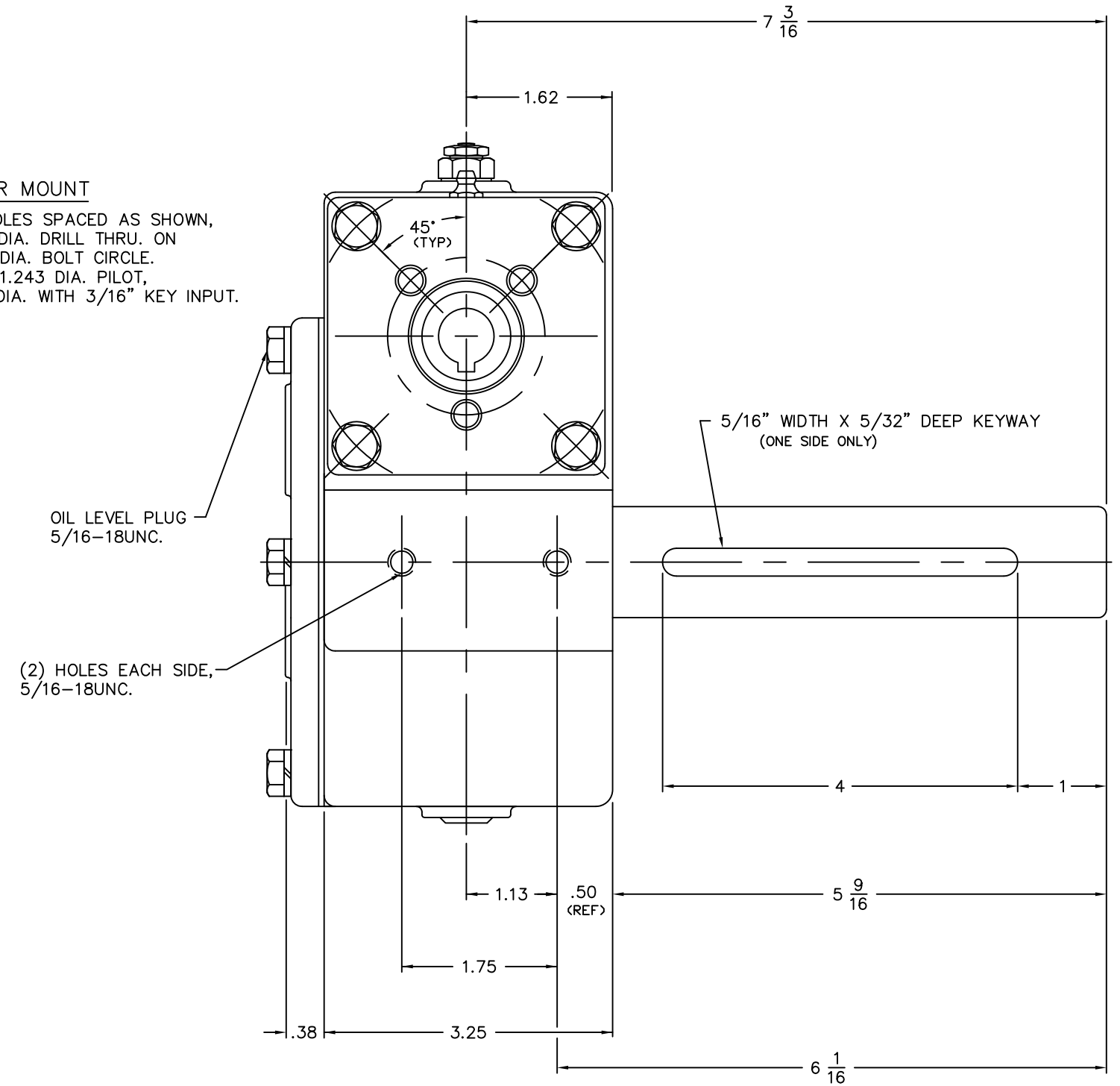


MOTOR MOUNT

(3) HOLES SPACED AS SHOWN,
9/32 DIA. DRILL THRU. ON
1.722 DIA. BOLT CIRCLE.
1.241/1.243 DIA. PILOT,
5/8" DIA. WITH 3/16" KEY INPUT.



004 MODEL CODE

WR04-A-38CN-D-N-N-5-B-UR

