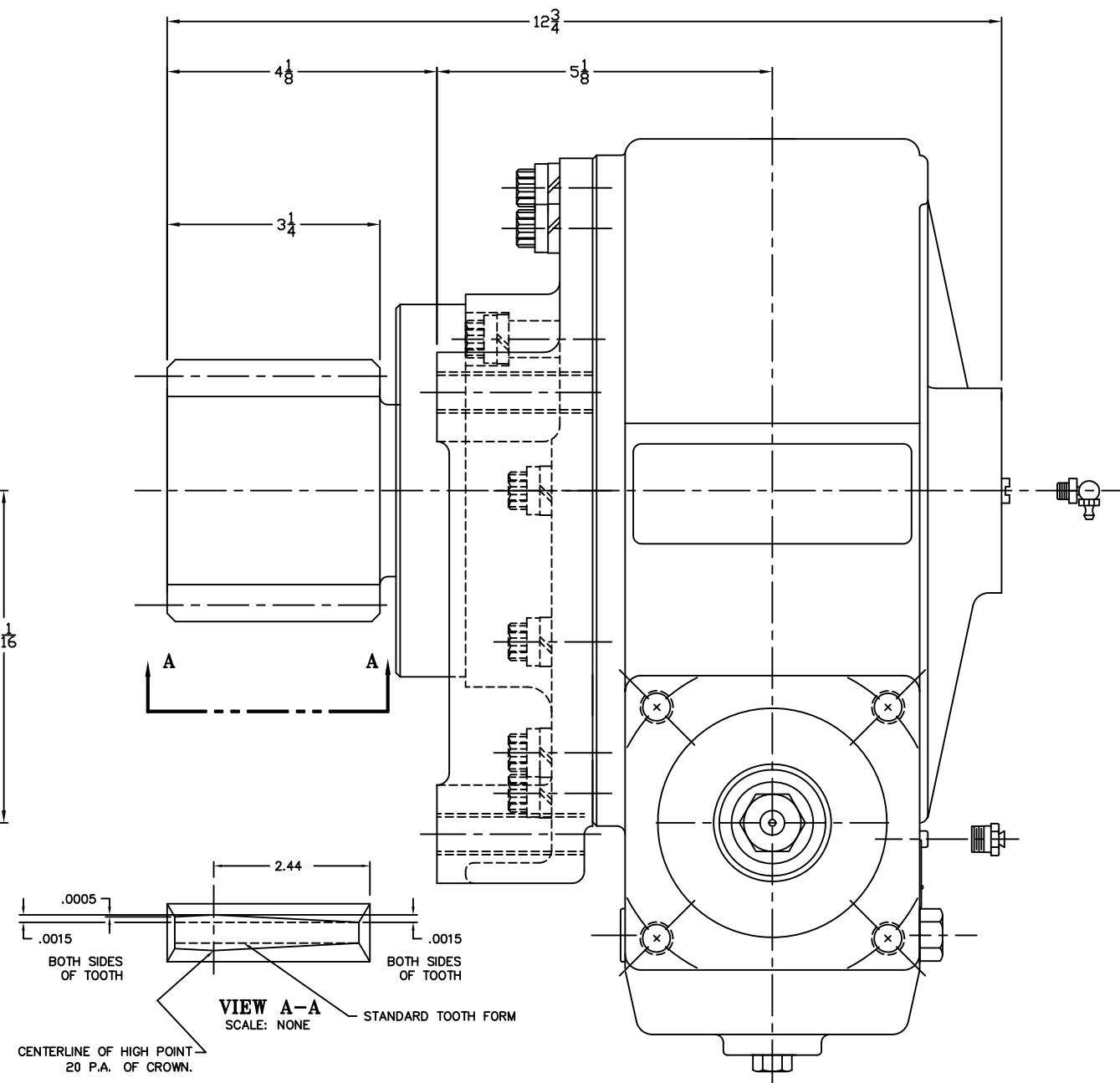


MOTOR MOUNT
 (4) BOLT MAGNETO MOUNT
 (4) HOLES ON 4 3/16 DIA. BOLT CIRCLE
 1/2-13UNC. THRU
 3.255/3.252 PILOT DIA.

MOTOR INPUT
 1"-6B SPLINE



BRAKE NOT SHOWN
 THIS VIEW

SPUR GEAR DATA		
FLAT ROOT		
CLASS	7	
NUMBER OF TEETH	13 ON 14TB	
PITCH DIAMETER	3.500	REF.
DIAMETRAL PITCH	4	
PRESSURE ANGLE	20	
CUTTER WHOLE DEPTH	.5625	REF.
BASE DIAMETER	3.054	REF.
TOOTH FINISH	125 ✓	
TOTAL CROWN	.002 TO .003	
RUN OUT TOLERANCE	.0151	
PITCH TOLERANCE	.0038	
LEAD TOLERANCE	.0024	
TOTAL CMPST. TOLERANCE	.0054	
TH TO TH CMPST. TOL.	.0081	
TOOTH THINNING	MIN. -.096	MAX. -.091
PIN MEASUREMENT		
BEFORE HEAT TREAT	MIN. 4.126	MAX. 4.134
AFTER HEAT TREAT	MIN. 4.127	MAX. 4.135
PIN DIAMETER	.48000	
MATING P/N	-	
CENTER DISTANCE	-	
OPERATING PITCH DIA.	-	
ALL TOOTH ELEMENT SPECIFICATIONS ARE FROM DATUM ESTABLISHED BY THE AXIS OF SURFACE A.		
MATERIAL	AISI 4140 STEEL	
HEAT TREAT	40-45 Rc	