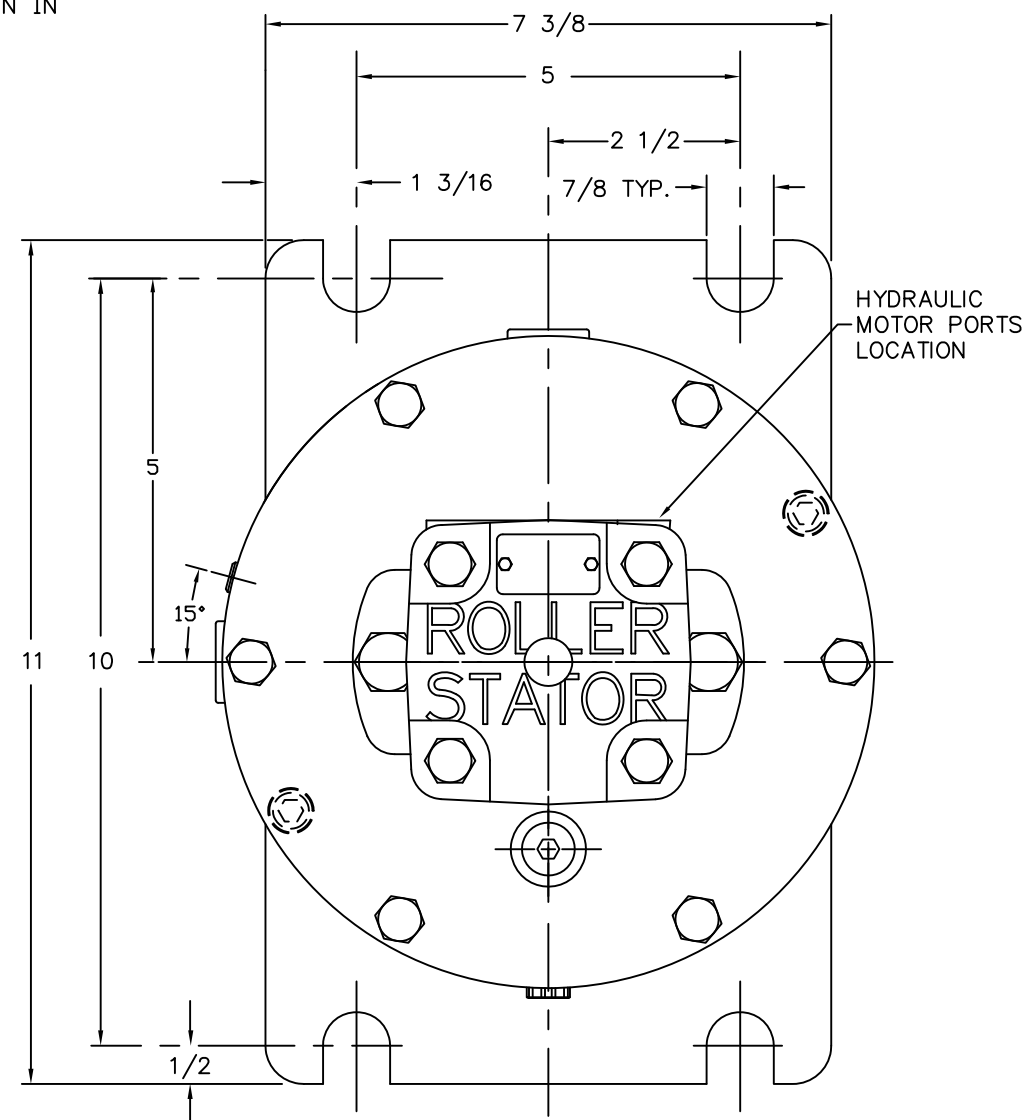
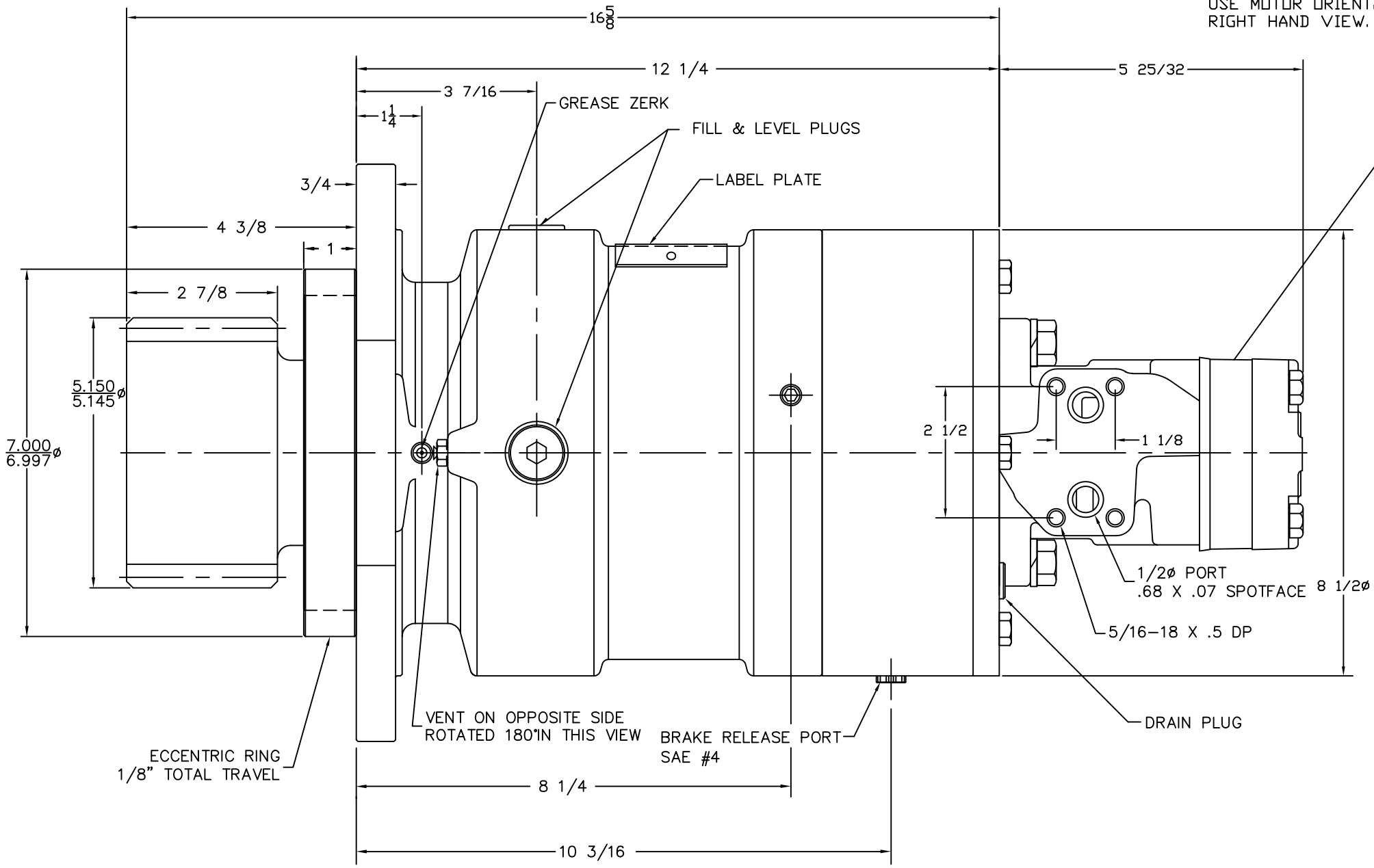


MOTOR ROTATED 90 DEG IN THIS VIEW.
USE MOTOR ORIENTATION AS SHOWN IN
RIGHT HAND VIEW.



MOTOR INPUT DATA
1/2-13NC THRU, 2 HOLES
ON A 4 3/16 B.C.
3.252/3.255 DIA. PILOT
1-6B SPLINE, SAE A

PINION DATA		
NUMBER OF TEETH	19	
PITCH DIAMETER	4.75	REF.
DIAMETRAL PITCH	4/5	
PRESSURE ANGLE	20°	
TOTAL CROWN	-	
TOOTH THINNING	MIN.	MAX.
DIM. OVER PINS	MIN.	MAX.
PIN DIAMETER		

- NOTES**
1. RATIO 25.78 TO 1
 2. OUTPUT RATING-40,000 IN-LBS
 3. BRAKE TORQUE 3088 IN-LB. 260 PSI RELEASE