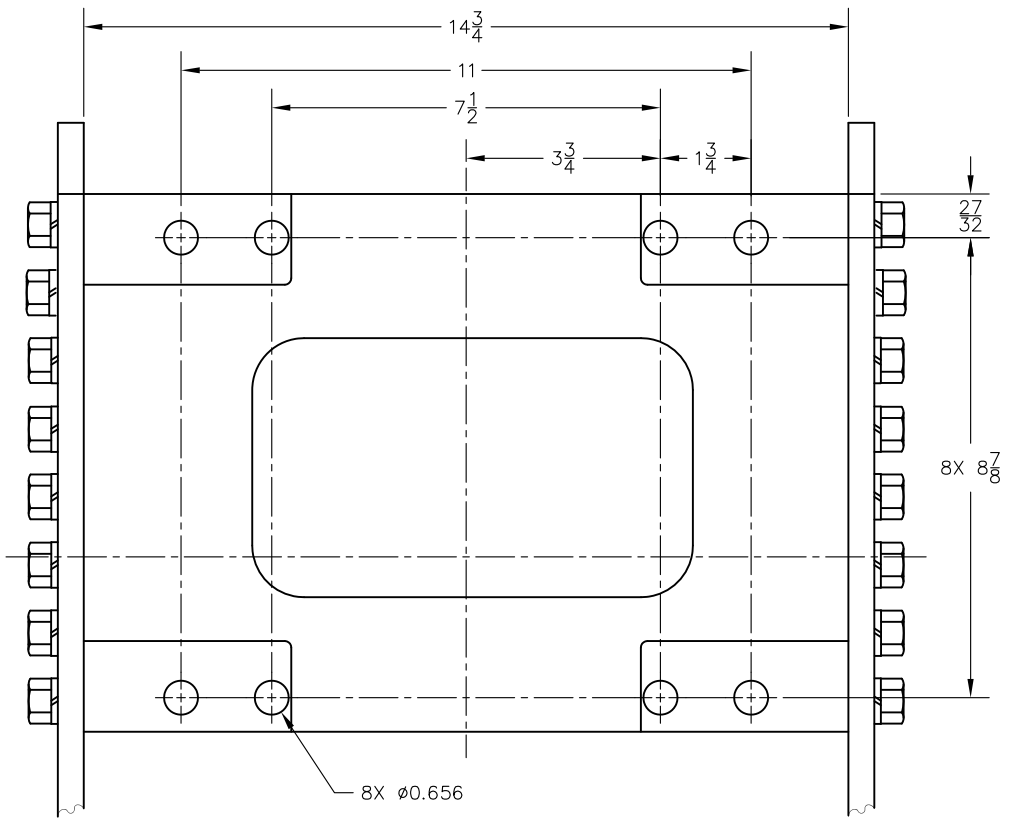
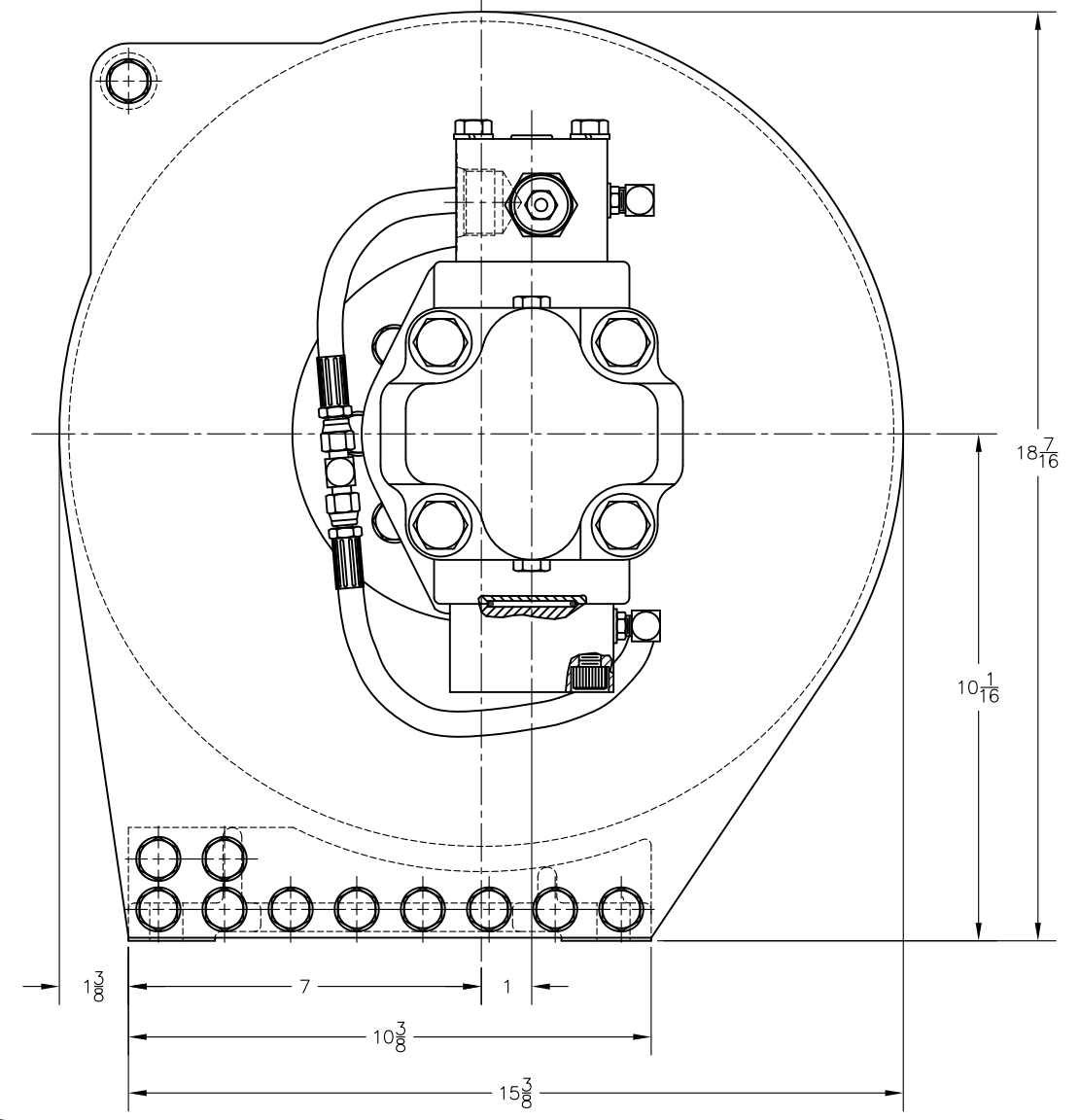
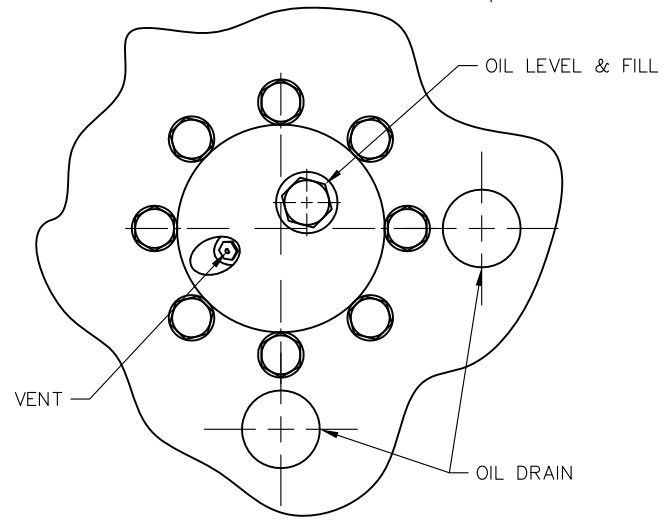


LIFT PORT: SAE-16 ORB

LIFT LOAD



SOME DETAIL OMITTED FOR CLARITY



VIEW A-A

9/16 WIRE ROPE 35.7 GPM 3000 PSI STALL			
LAYER	CAPACITY (FT)	LIFT (LBS)	SPEED (FPM)
1	62	11067	122
2	131	9979	135
3	207	9085	149
4	289	8338	162
5	378	7705	175

9/16 WIRE ROPE 54.9 GPM 3000 PSI STALL			
LAYER	CAPACITY (FT)	LIFT (LBS)	SPEED (FPM)
1	62	11067	188
2	131	9979	208
3	207	9085	229
4	289	8338	249
5	378	7705	269

- NOTES:
1. DRUM GROOVING TO ACCEPT $\phi 9/16$ WIRE ROPE
 2. WINCH MOTOR: COMMERCIAL, 4.46 CID, SAE-2B, B SPLINE
 3. WINCH SHIPPED WITH 2-1/2 QTS, EP80W90 LUBRICANT; VENT HOLE IS PLUGGED AND VENT SHIPPED SEPARATELY
 4. PAINTED MANITEX TWILIGHT GRAY
 5. 36:1 GEAR RATIO